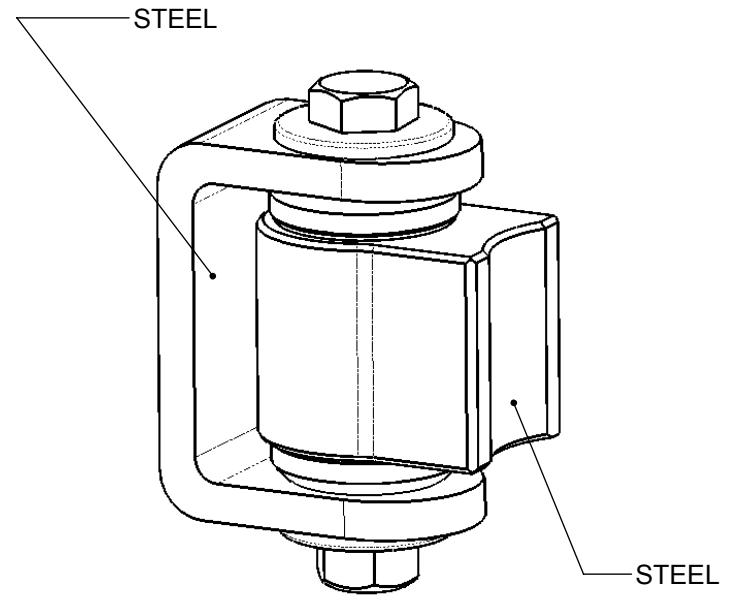
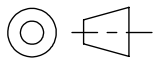


1.19 TO 1.69  
(ADJUSTABLE)



UNLESS OTHERWISE SPECIFIED:  
DIMENSIONS ARE IN INCHES



THIRD ANGLE PROJECTION

SHUT IT  
PO BOX 5464  
TUCSON, AZ 85703

Phone: 520-320-0680  
Fax: 520-320-0681



TITLE:

100 YEAR HINGE

SIZE  
**A**

DWG. NO.

CI3520

REV  
**A**

DATE

SCALE: 2:3

SHEET 1 OF 1

5



4

3

2

1