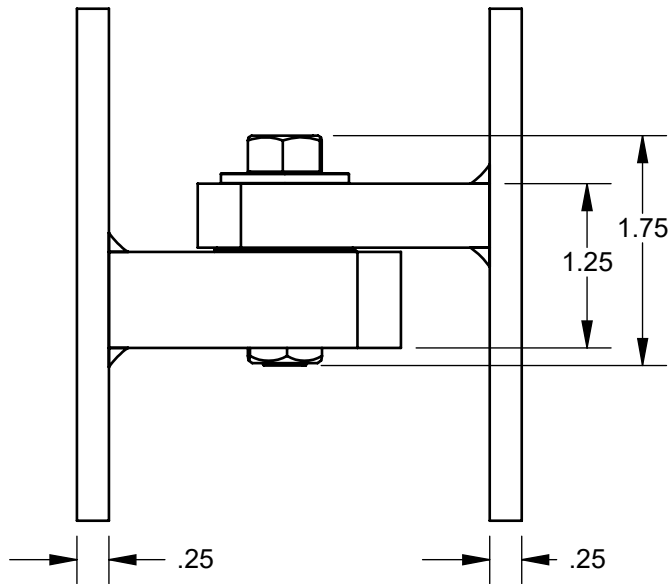
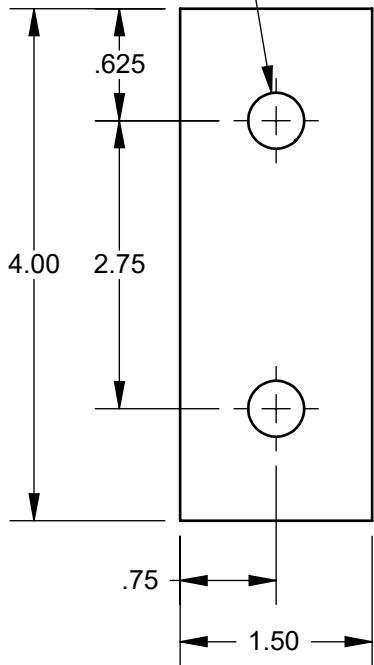
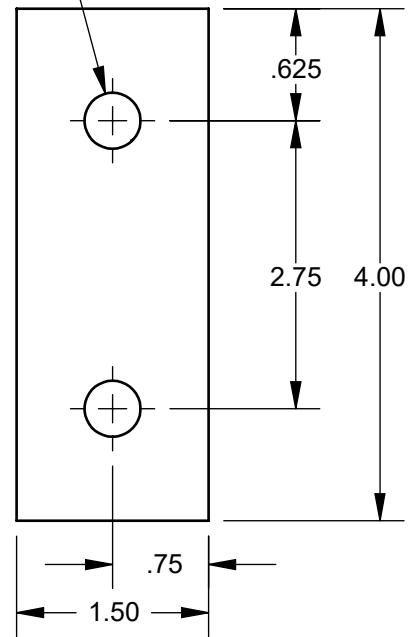


Ø.438
2 PL

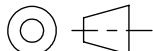


Ø.438
2 PL



STEEL

UNLESS OTHERWISE SPECIFIED:
DIMENSIONS ARE IN INCHES



THIRD ANGLE PROJECTION

SHUT IT
PO BOX 5464
TUCSON, AZ 85703

Phone: 520-320-0680
Fax: 520-320-0681



TITLE:

BABY BOLT-ON BA HINGE

SIZE

A

DWG. NO.

C13750

REV

A

DATE

SCALE: 2:3

SHEET 1 OF 1

5

4

3

2

1